



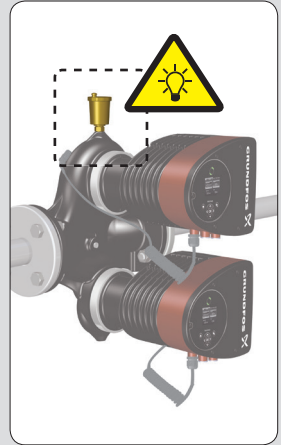
MAGNA3



MAGNA3



MAGNA3 D

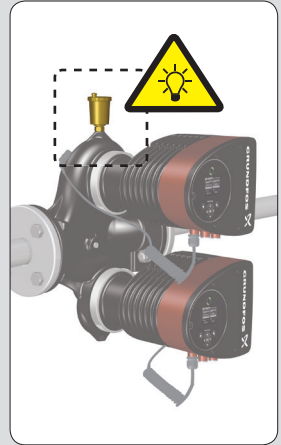




MAGNA3 F



MAGNA3 D F





Max. 95 % RH
IPX4D



Min./Max.
-10 °C – +110 °C



PN 6:6 bar / 0.6 MPa
PN 10:10 bar / 1.0 MPa
PN 16:16 bar / 1.6 MPa

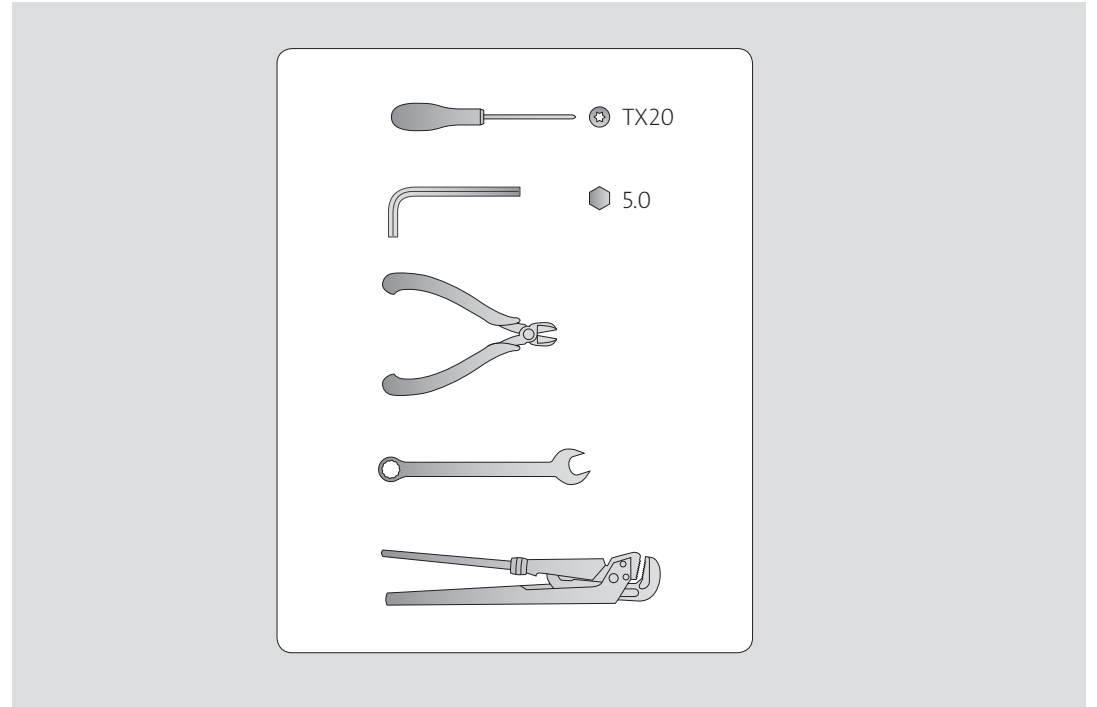
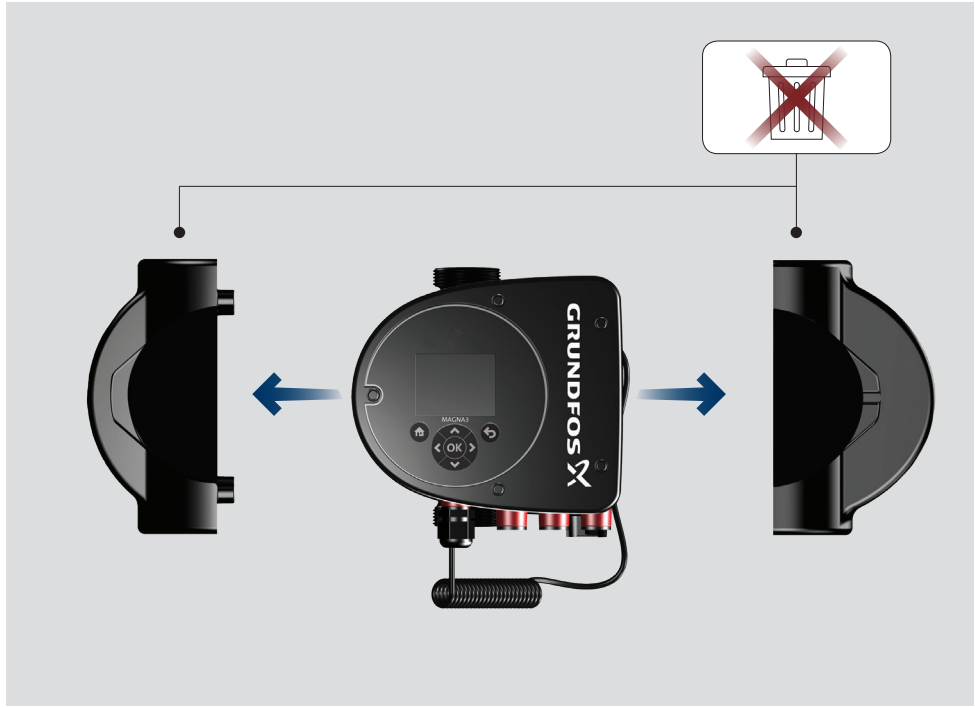


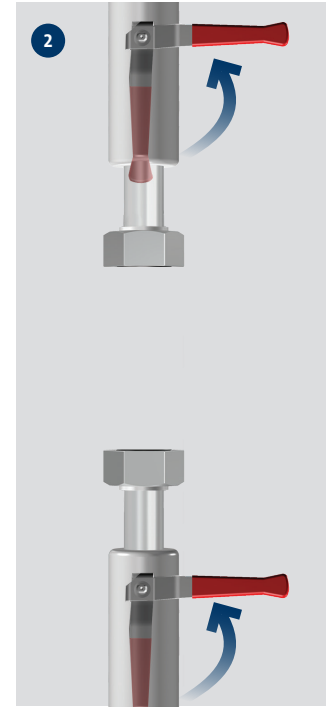
Min./Max.
0 °C – +40 °C

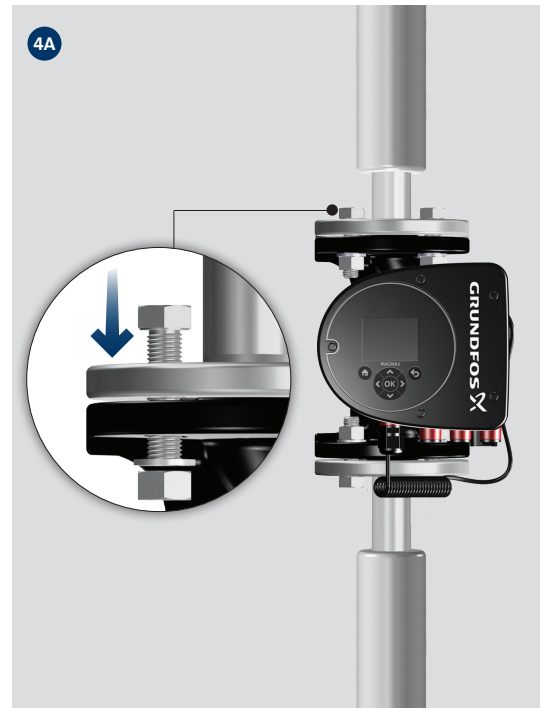


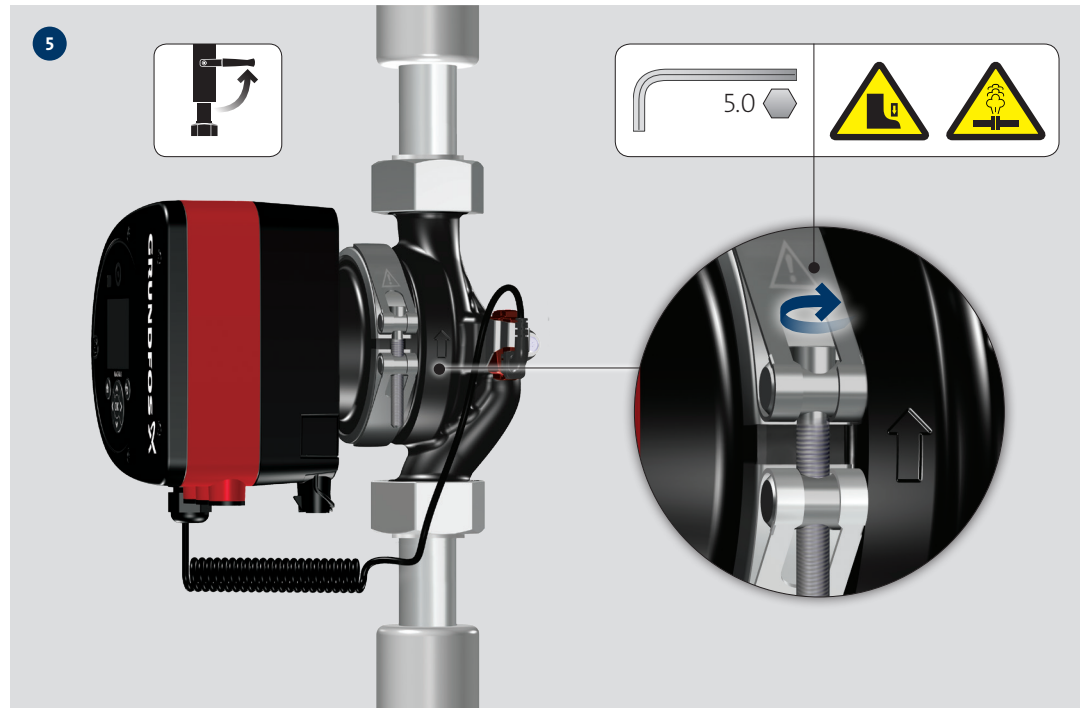
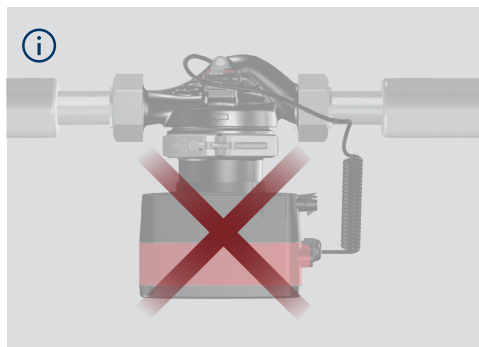
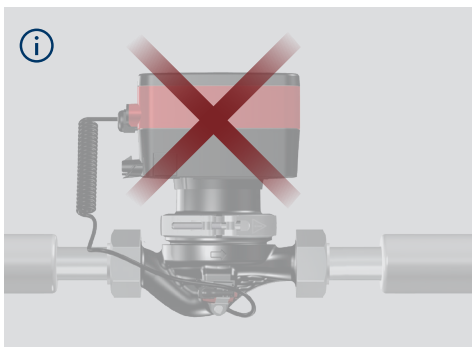
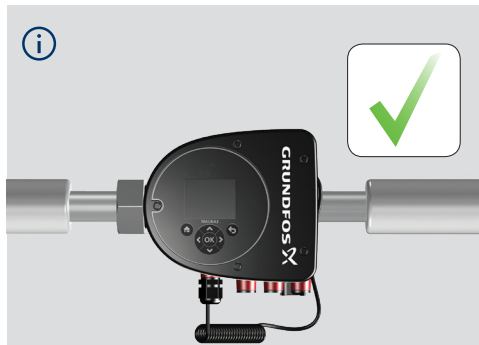
< 39 dB(A)

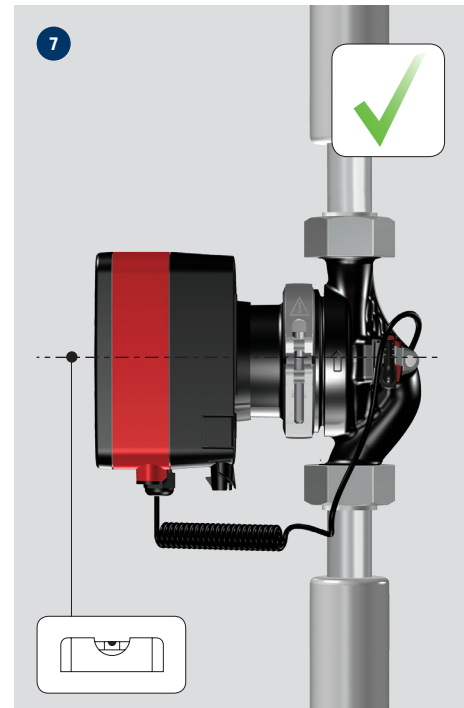
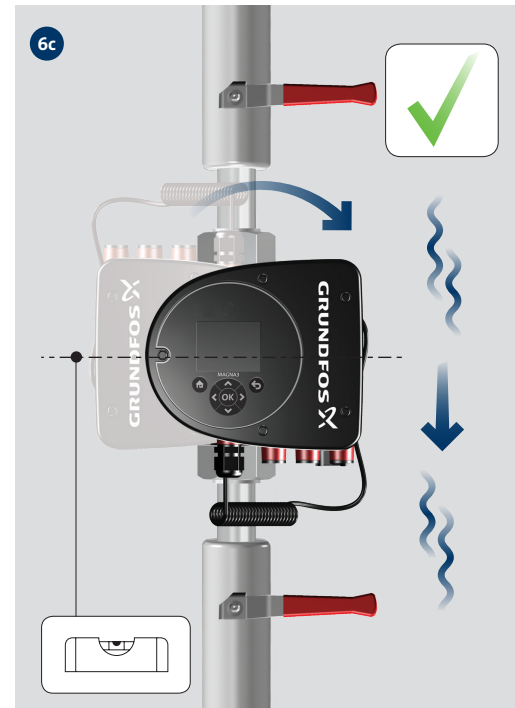
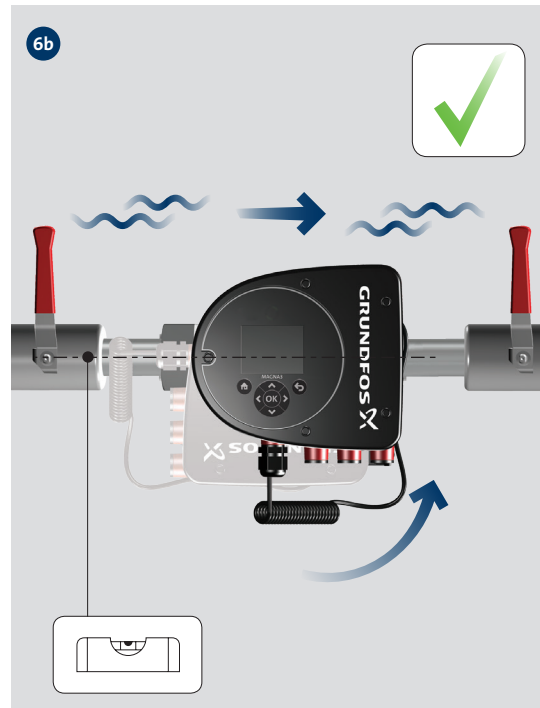
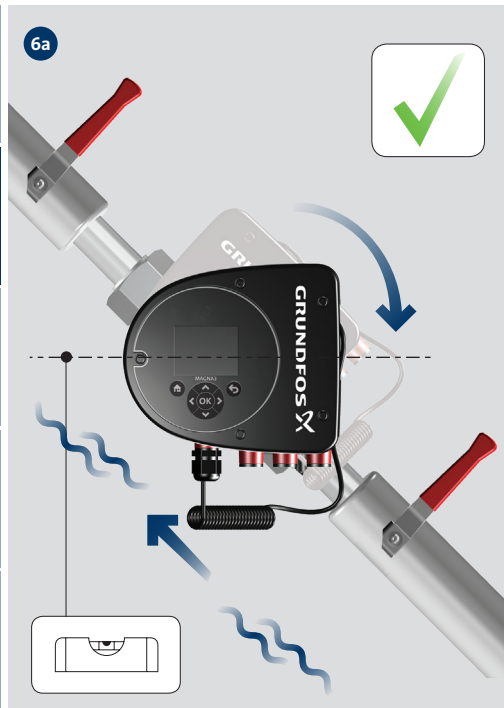






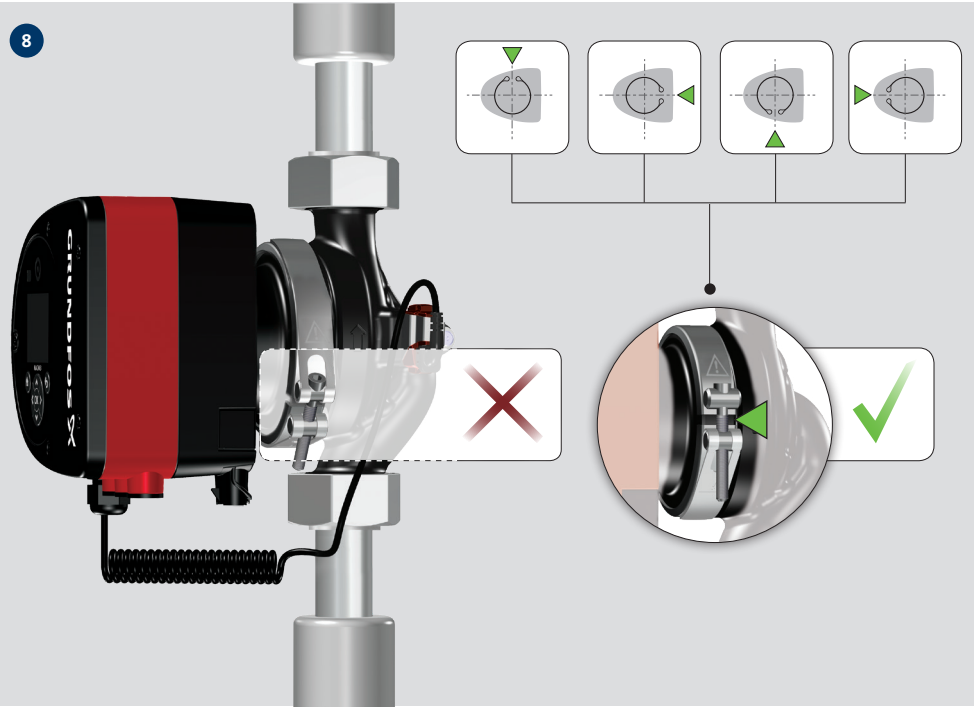




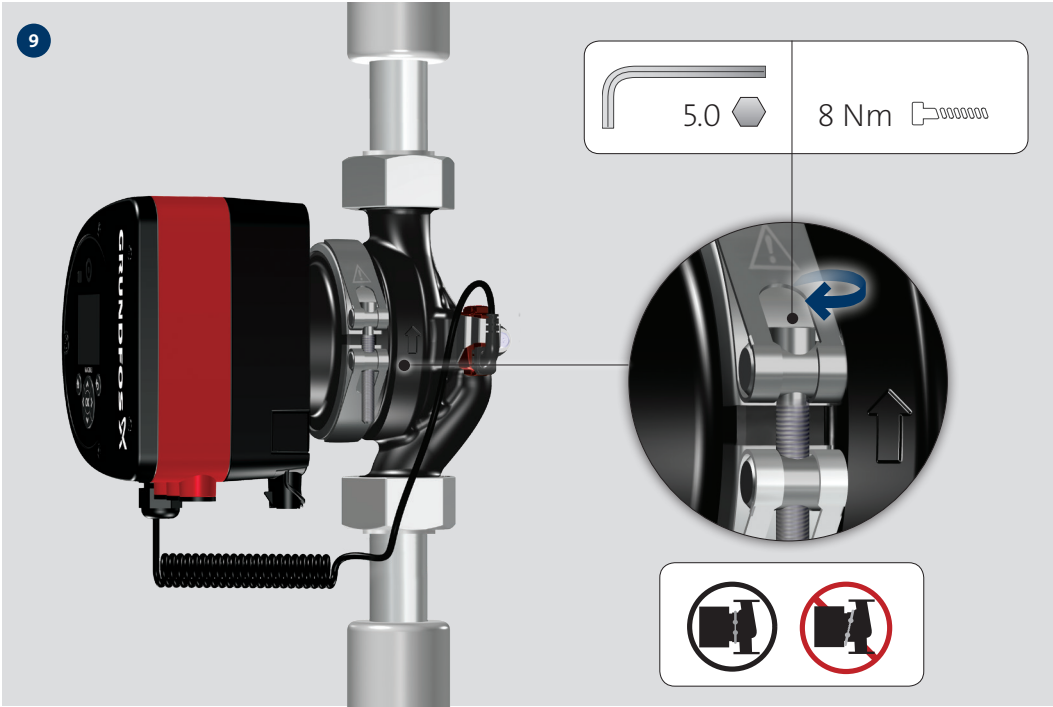




8



9

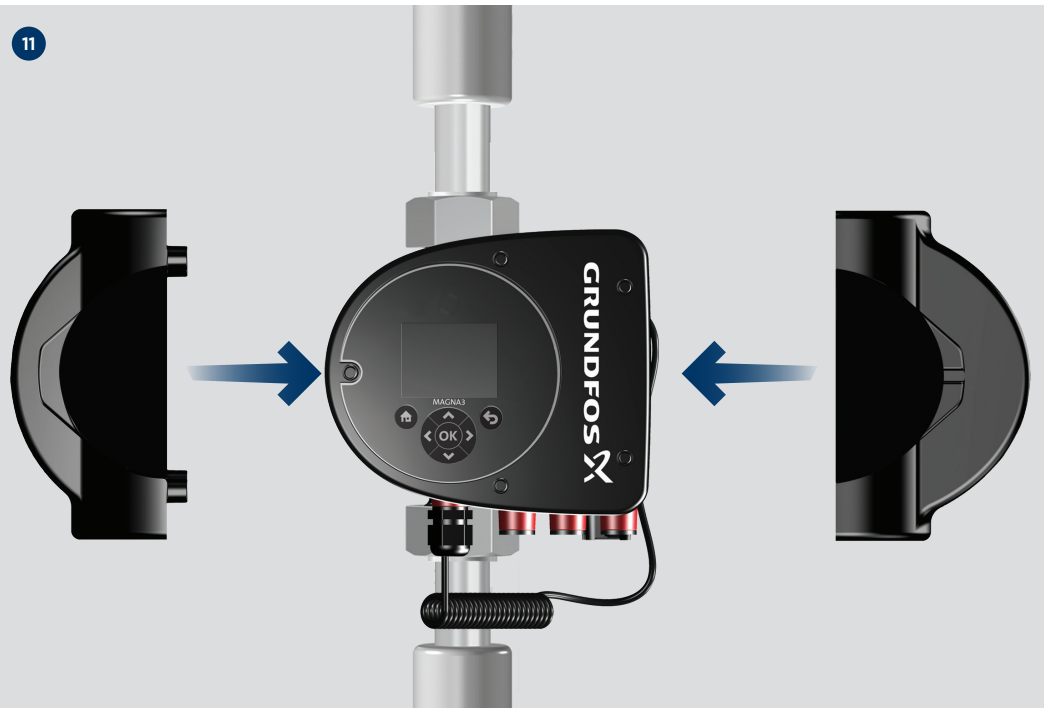


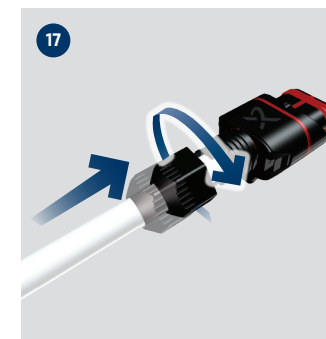
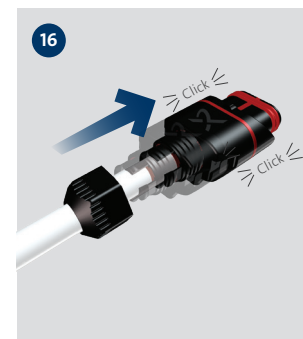
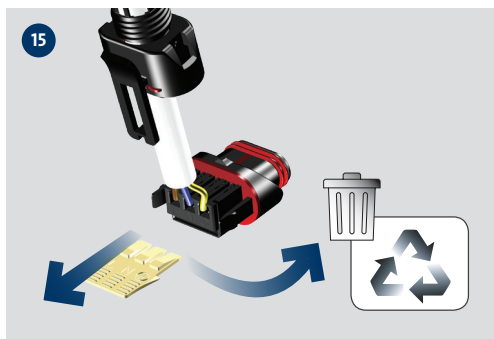
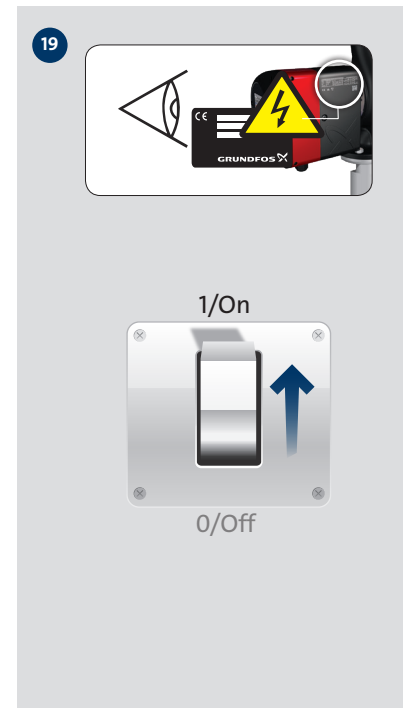
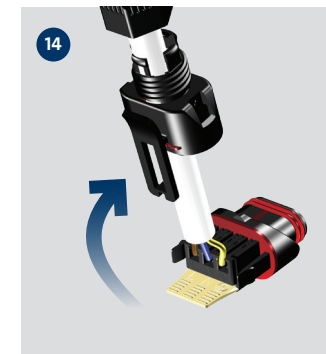
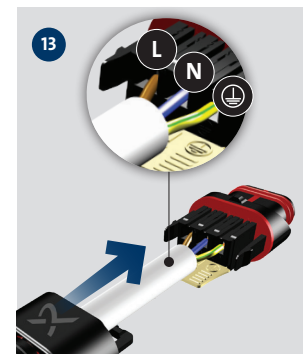
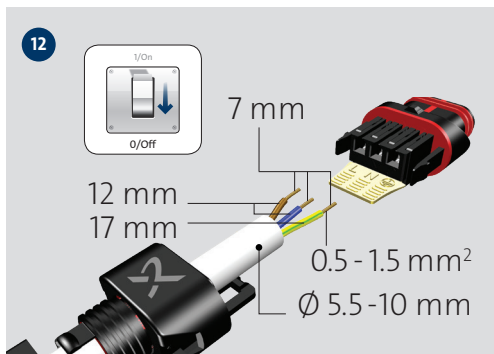


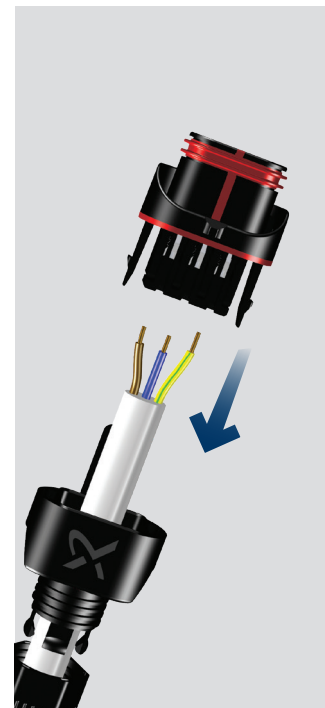
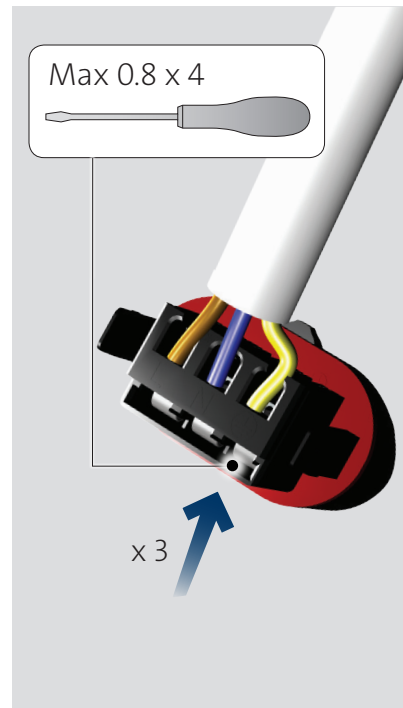
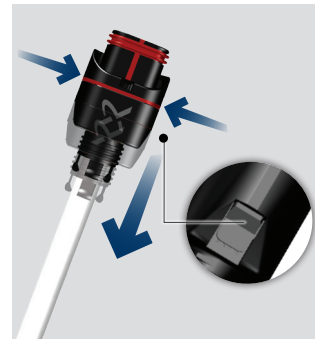
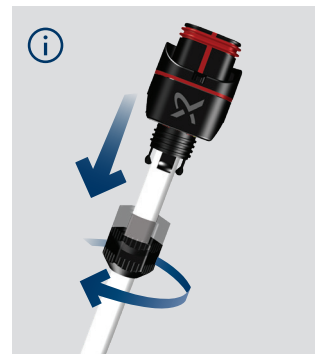
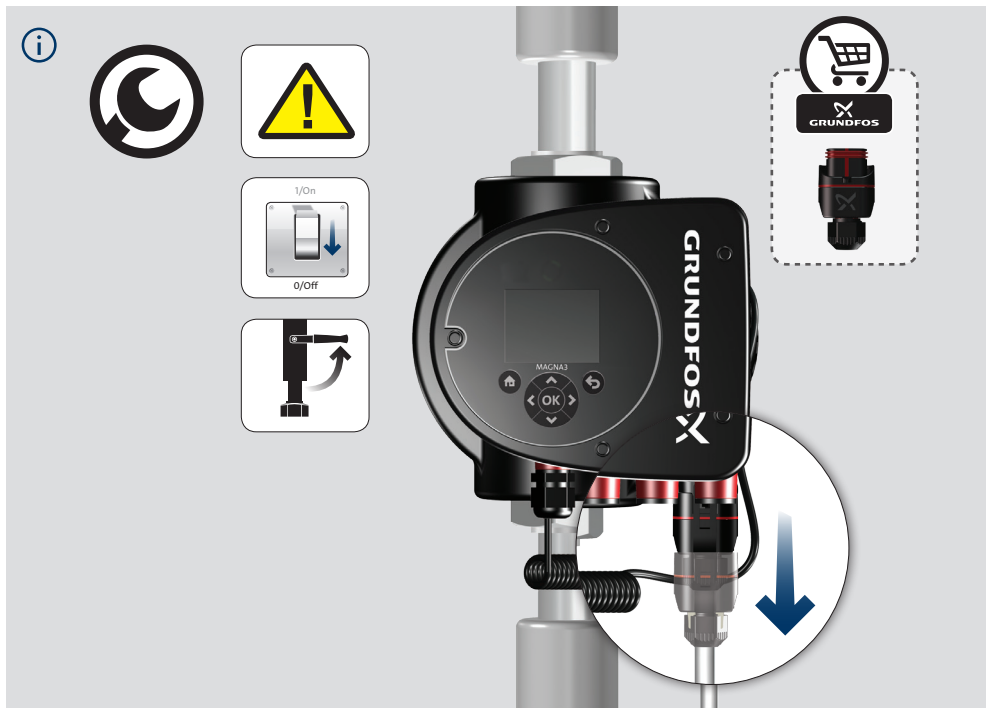
10



11





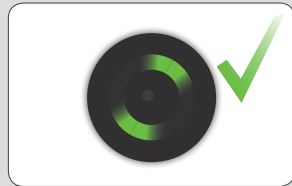





Power cycle
Max. 4 starts
per 60 minutes



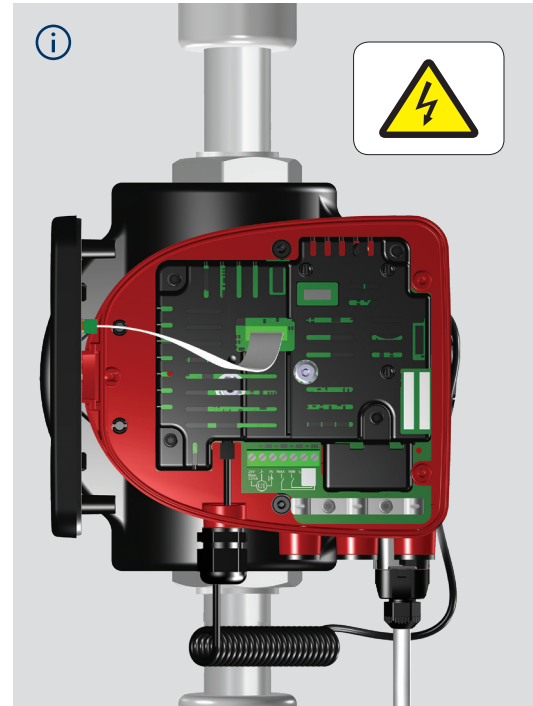
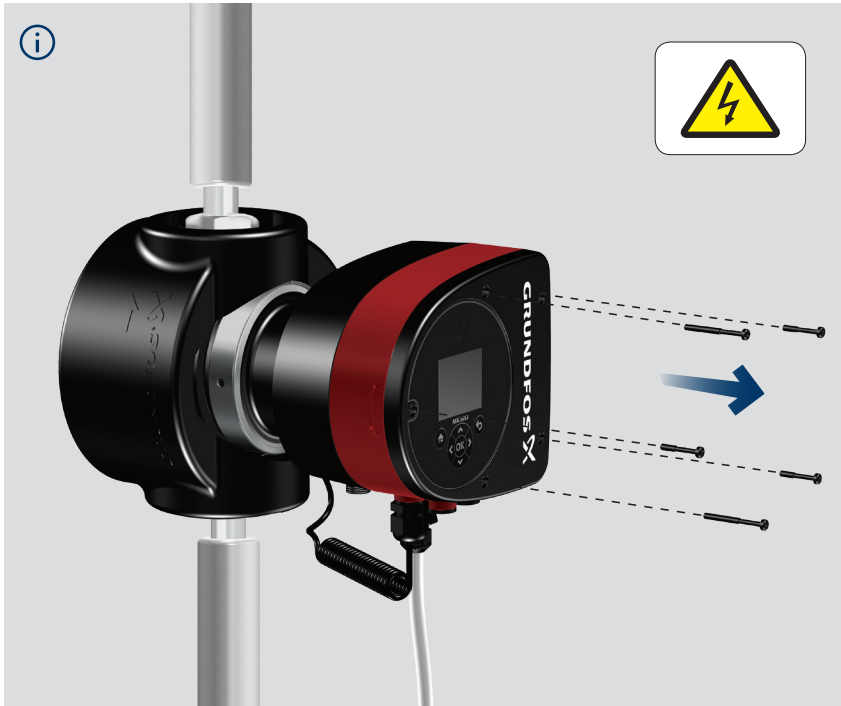
GRUNDFOS
MAGNA3

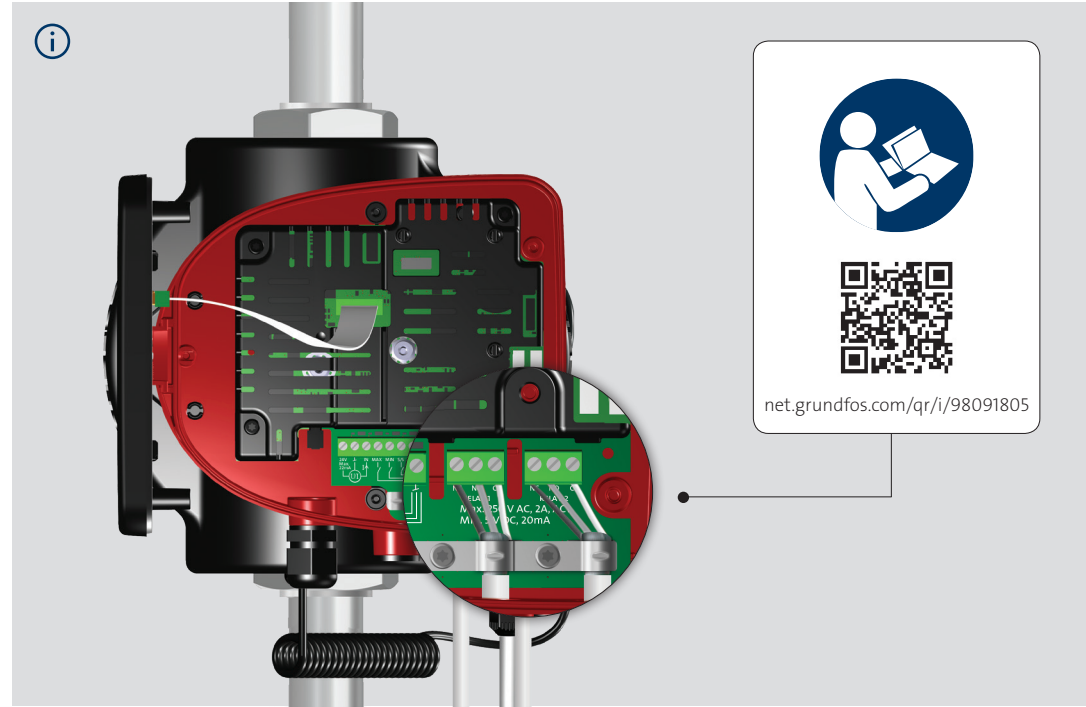
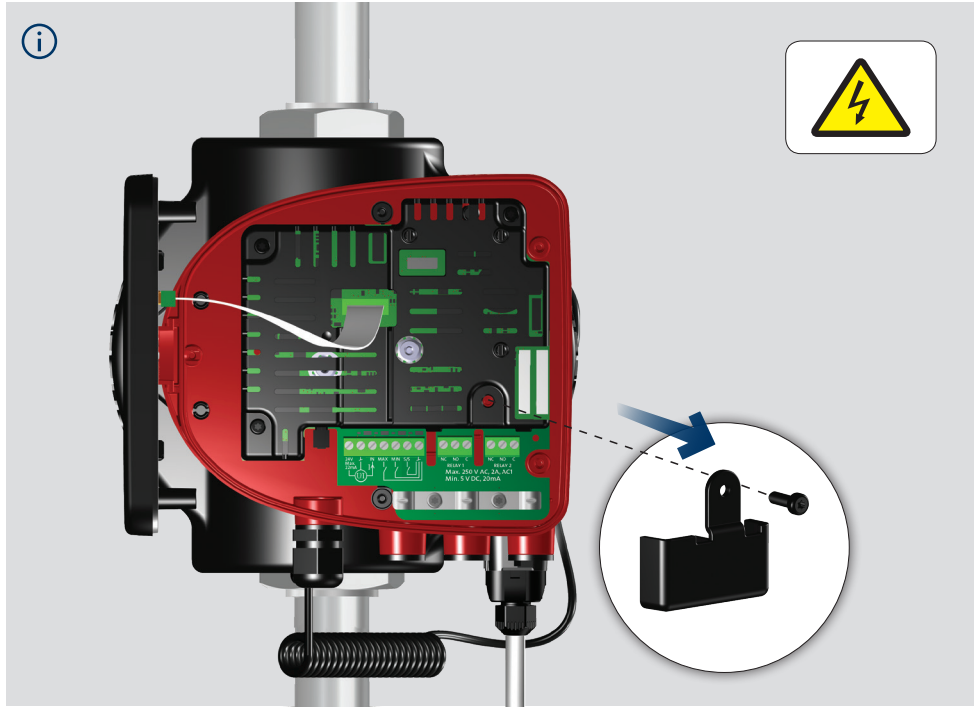


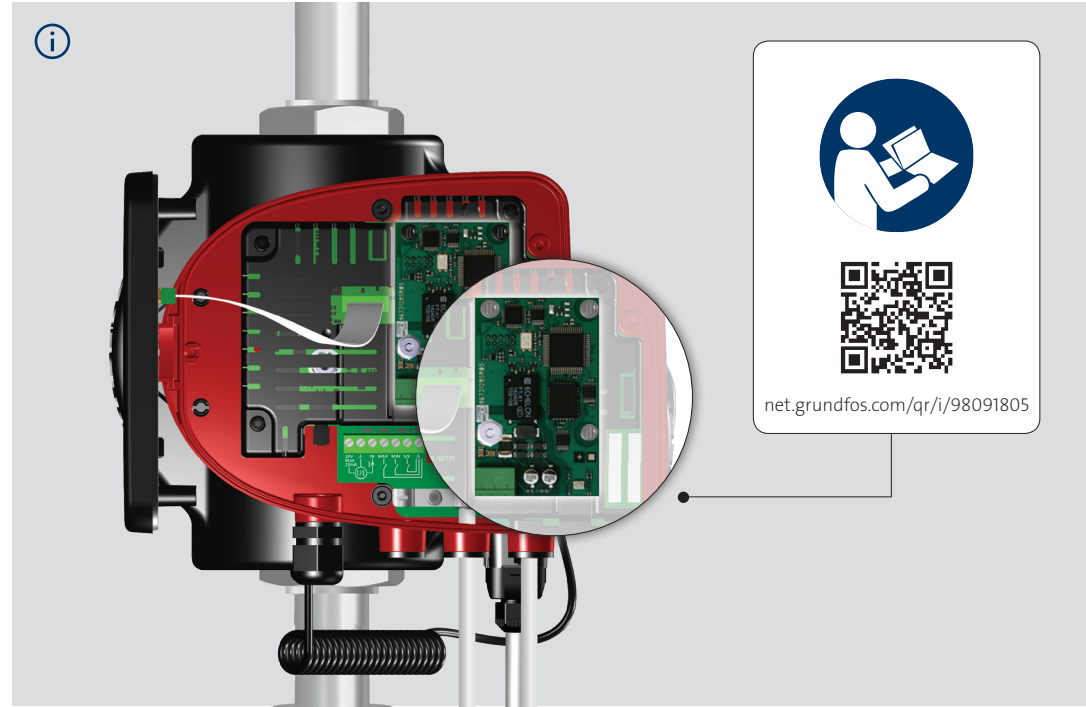
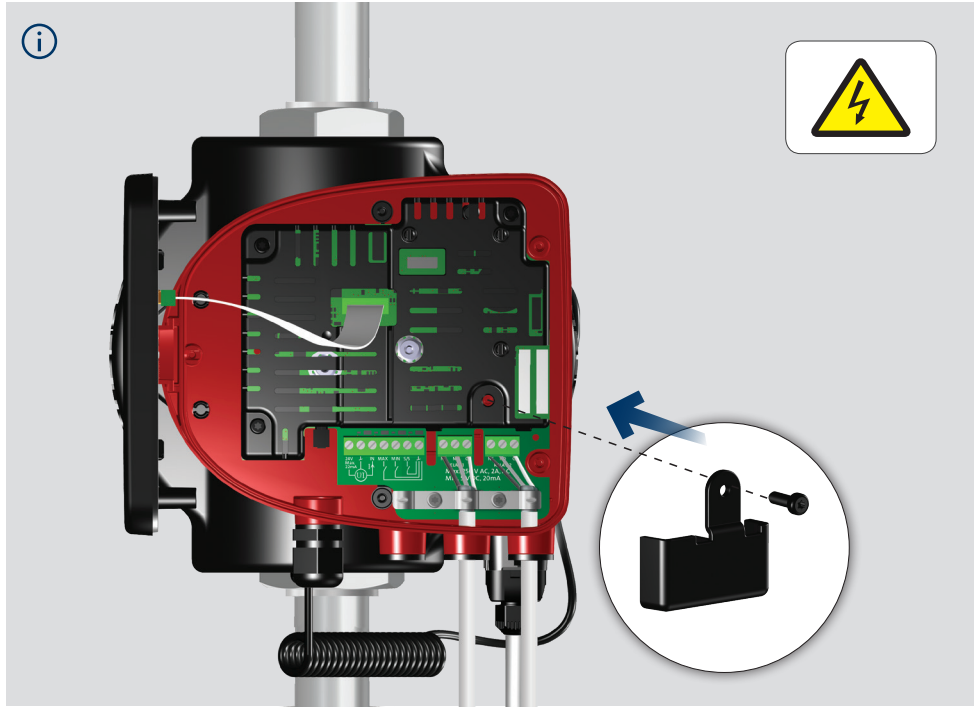
Further product documentation

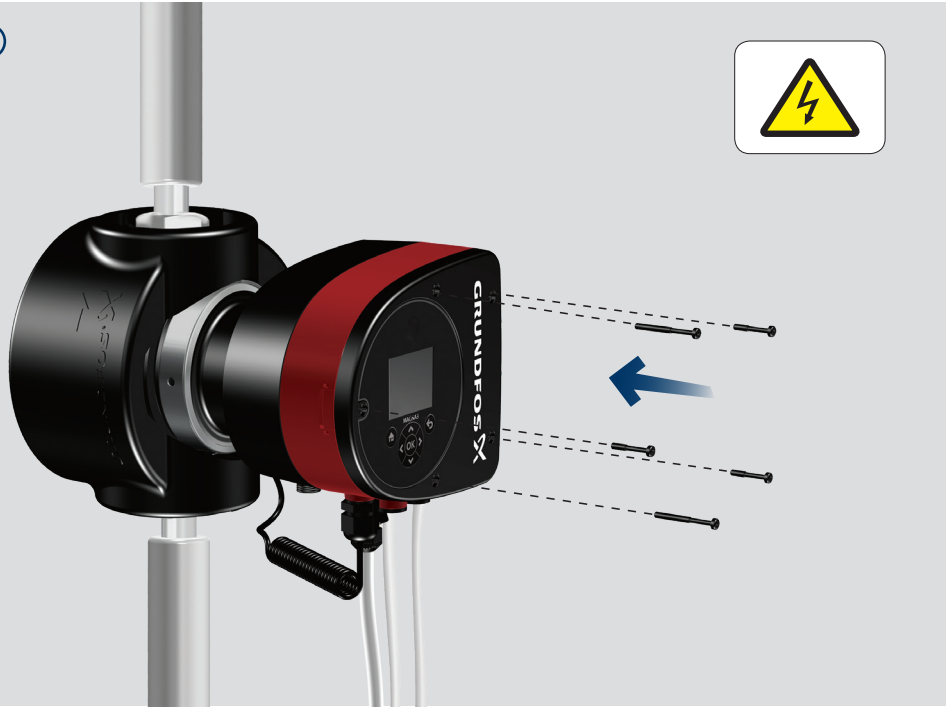


net.grundfos.com/qr/i/98091805







A large rectangular area on the right side of the page, filled with horizontal lines for writing. There are 10 lines in total, providing space for the user to provide additional information or notes.

Installation date: _____

Installer:

98474143 0219

ECM: 1253737

GRUNDFOS Holding A/S
Poul Due Jensens Vej 7
DK-8850 Bjerringbro
Tel: +45 87 50 14 00

Trademarks displayed in this material, including but not limited to Grundfos, the Grundfos logo and "be think innovate" are registered trademarks owned by The Grundfos Group. All rights reserved.

© 2019 Grundfos Holding A/S, all rights reserved.